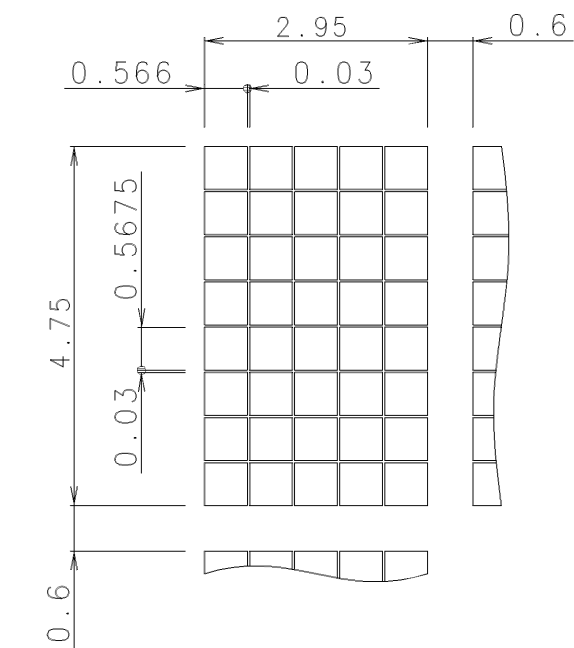
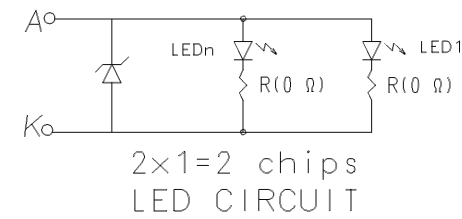
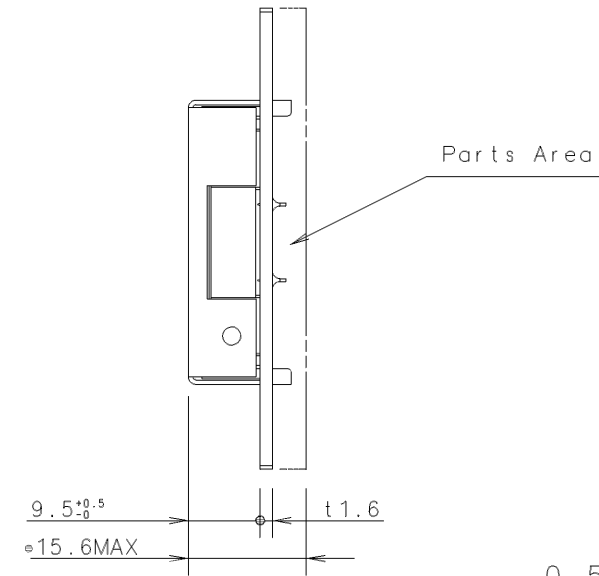
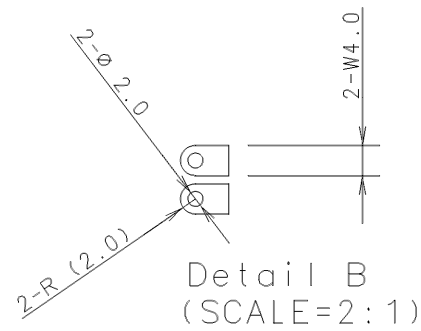
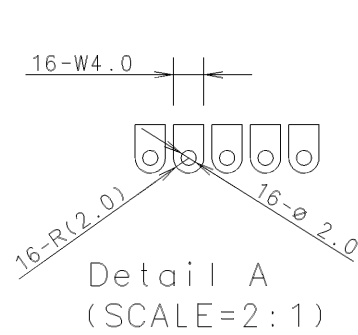
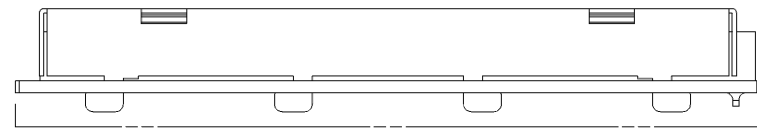
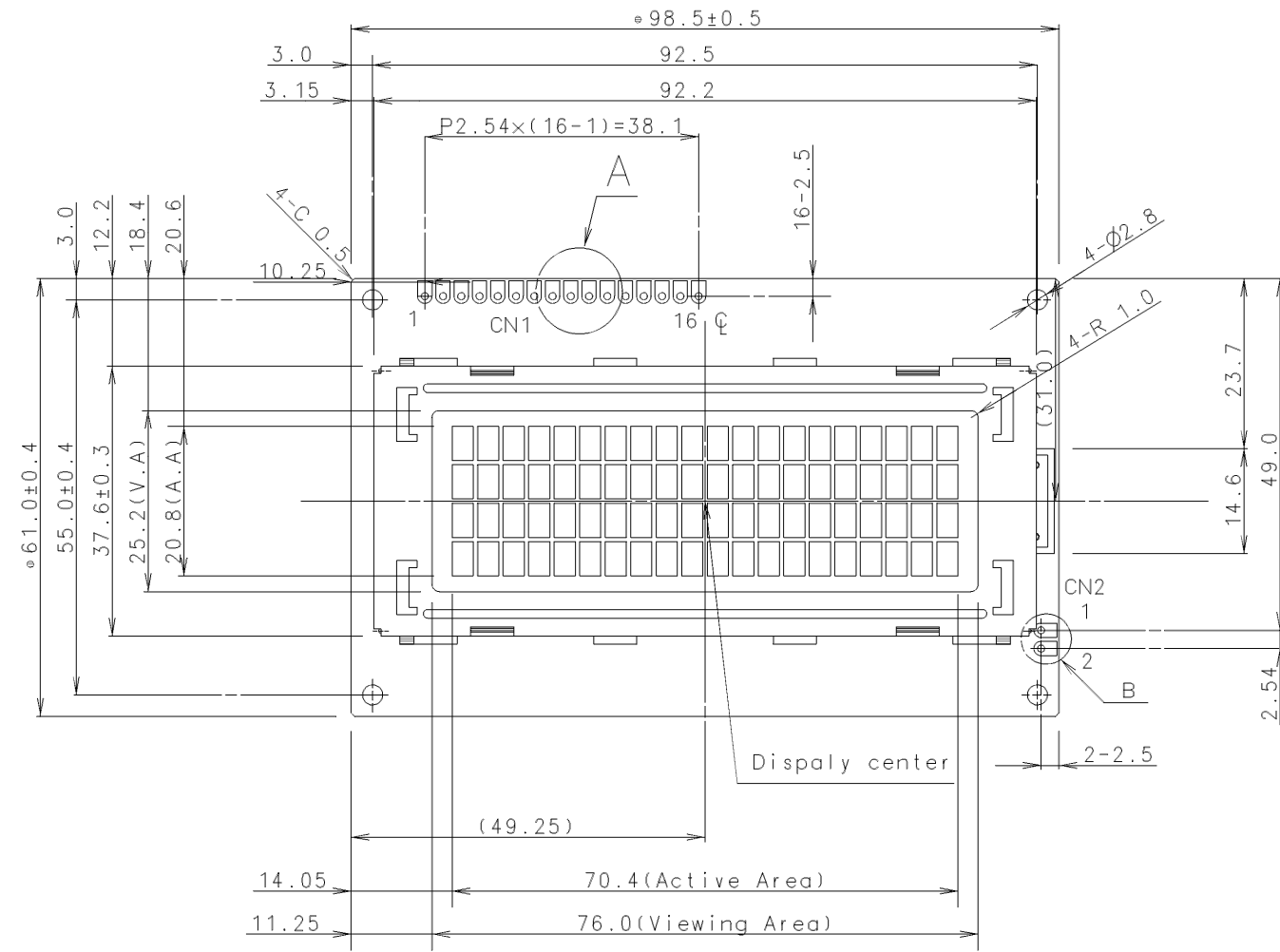


ISSUE	REVISIONS	DRAWN	APPROVED	DATE



PIN Assignment (CN1)	
No.	SYMBOL
1	VSS
2	VCC
3	VEE
4	RS
5	R/W
6	E
7	DB0
8	DB1
9	DB2
10	DB3
11	DB4
12	DB5
13	DB6
14	DB7
15	LED: ANODE
16	LED: CATHODE

Pin Assignment (CN2)	
No.	SYMBOL
1	LED: CATHODE
2	LED: ANODE

Notes:

- Do not use materials which are prohibited by ROHS.
- The dimensions with the mark (*) are controlled as a particular characteristic.

TOLERANCE			THIRD ANGLE PROJECTION	DATE Feb.25'05	OPTREX CORPORATION
MEASURE	A	B			
L≤16	±0.1	±0.3	±1	UNIT mm	APPROVED M.MOTOHASHI
16<L≤63	±0.2	±0.5	±1.5	SCALE 1:1	CHECKED T.SUZUKI
63<L≤250	±0.3	±0.8	±2		DRAWN X.Hawk
250<L≤500	±0.5	±1.2	±3		
500<L	±0.8	±2	±4		
ANGLE	±1°	±5°	±10°		

TITLE	DIMENSIONAL OUTLINE
CODE	C-51847AA base
DWG NO	UE-312334